

EC Double Inlet Blower

Φ 146

EC 双进风鼓风机



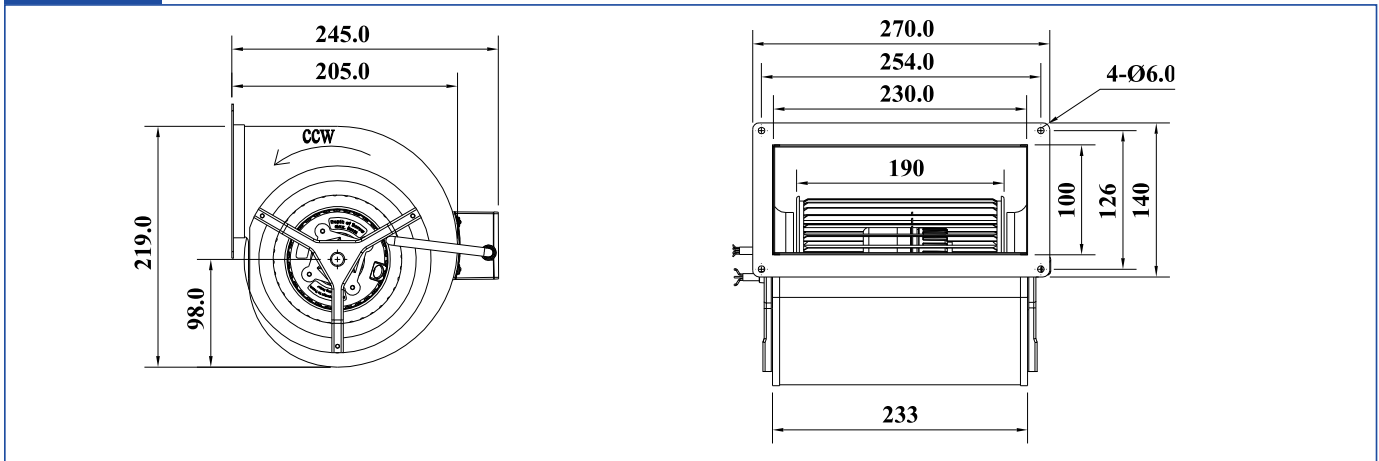
Impeller: Metal sheet
shell: Metal sheet
Motor: EC brushless external rotor motor
Insulation: Class B
Approvals: UL E306337
Operating Temperature: -20~+60°C
Technical Features:Control input 0-10VDC/PWM, tach output.Locked rotor protection,reverse polarity. Current limited,soft start

叶轮材质: 金属钢
 外壳材质: 金属钢
 电机类型: EC无刷外转子电机
 绝缘等级: Class B
 产品符合的认证: UL E306337
 工作温度: -20~+60°C
 技术特性: 调速输入0-10VDC/PWM, 调速信号输出, 堵转, 极性、限流保护, 软启动

技术参数 Specifications

Listed Model 产品型号	Rated Voltage 额定电压	Operating Voltage 工作电压	Rated Current 额定电流	Rated Power 额定功率	Rated Speed 额定转速	Air Flow 风量		Air Pressure 风压		Noise Level 噪音	Net Weight 重量
Part NO.	VAC	VAC	A	W	RPM	CFM	m ³ /h	mmH ₂ O	inH ₂ O	dBA	Kg
PB1ED146LB2M	115	92~132	2.2	150.0	1,500	683.0	1160.0	46.20	1.82	68	4.44
PB2ED146LB2M	230	184~265	1.32	150.0	1,500	683.0	1160.0	46.20	1.82	68	4.44
PB1ED146MB2M	115	92~138	3.6	230.0	1,750	796.5	1352.7	63.00	2.48	71	4.44
PB2ED146MB2M	230	184~276	2.2	260.0	1,850	842.4	1430.7	70.30	2.77	72	4.44

外形 Outline



曲线 Curves

