

DC Axial Fan

Φ400

DC轴流风机



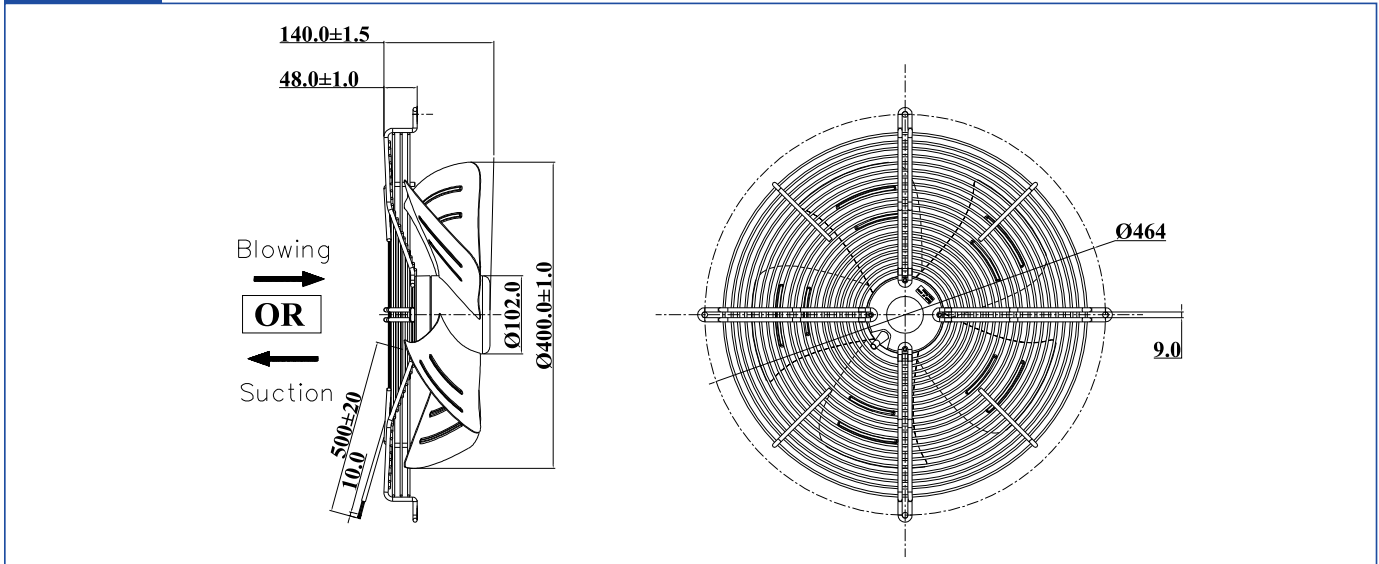
Impeller: Metal steel and coated in black
Motor: DC brushless external rotor motor
Insulation: Class B
Approvals: CE;UL is in process
Operating Temperature: -20~+60°C

叶轮材质: 金属钢及表面烤黑漆
 电机类型: DC无刷外转子电机
 绝缘等级: Class B
 产品符合的认证: CE;UL申请中
 工作温度: -20~+60°C

技术参数 Specifications

Listed Model 产品型号	Rated Voltage	Operating Voltage	Rated Current	Rated Power	Rated Speed	Air Flow		Air Pressure		Noise Level	Net Weight
	额定电压	工作电压	额定电流	额定功率	额定转速	风量	量	风压	压	噪音	重量
Part NO.	VDC	VDC	A	W	RPM	CFM	m ³ /h	mmH ₂ O	inH ₂ O	dBA	Kg
PF48400140HB2M	48	36~56	3.2	153.6	1,100	1979.3	3362.8	10.84	0.427	57.4	5.1

外形 Outline



曲线 Curves

