

DC Centrifugal Fans

Forward Curved $\Phi 133$

DC 前向离心风机



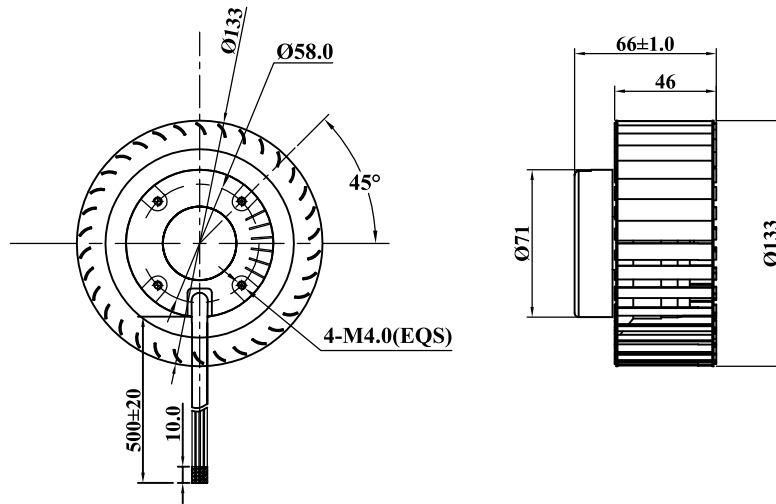
Impeller: Metal aluminum sheet
Motor: DC brushless external rotor motor
Insulation: Class B
Approvals: CE;UL is in process
Operating Temperature: -20~+60°C

叶轮材质: 金属钢
 电机类型: DC无刷外转子电机
 绝缘等级: Class B
 产品符合的认证: CE;UL申请中
 工作温度: -20~+60°C

技术参数 Specifications

Listed Model 产品型号	Rated Voltage 额定电压	Operating Voltage 工作电压	Rated Current 额定电流	Rated Power 额定功率	Rated Speed 额定转速	Air Flow 风量		Air Pressure 风压		Noise Level 噪音	Net Weight 重量
Part NO.	VDC	VDC	A	W	RPM	CFM	m ³ /h	mmH ₂ O	inH ₂ O	dBA	Kg
PI2413346HB2M-A	24	16~28	2.5	60.0	2,200	140.2	238.1	53.34	2.1	65	0.8
PI4813346HB2M-A	48	36~56	1.25	60.0	2,200	140.2	238.1	53.34	2.1	65	0.8

外形 Outline



曲线 Curves

